

ALUMINUM TELE-SUN SHADE POLES

ASSEMBLY & INSTALLATION INSTRUCTIONS



WARNING:

This product can expose you to chemicals including Di (2-ethylhexyl) Phthalate (DEHP), which is known to the state of California to cause cancer, birth defects or other reproductive harm. For more information, go to www.P65Warnings.ca.gov.



TACO[®]
MARINE

ALUMINUM TELE-SUN SHADE POLES

T10-7001VEL

Assembly Instructions

Thank you for purchasing the Aluminum Tele-Sun Shade Poles by TACO Marine. Since 1959, we have taken great pride in offering the highest-quality products with excellent customer service. We stand behind our products 100 percent. Please visit our website tacomarine.com for more detailed information on a wide variety of products and to register your new accessory for warranty.

Box Includes

- 1) Insert butt of Tele-Sun Shade Pole into rod holder.
- 2) Ensure the gimbal slot locks over the rod holder gimbal pin.
- 3) After attaching rope to the grommet in the corner of the sun shade material, insert the rope end, from the top, through the pole's eye bolt at the tip.
- 4) Tighten the sun shade material by:
 - Pulling the rope through the tip eye bolt.
 - Unlock the lever clamp to adjust the telescoping section of the sun shade pole to the desired height. (Hold the securing rope, making sure it does not slide back out of the eye bolt.)
 - Tighten adjusting screw on the lever clamp for correct tension to eliminate pole collapse.
 - Close the lever clamp.
 - Pull the rope down until reaching desired tension
 - Wrap the end of the rope around the nylon cleat at the bottom in a figure eight to secure it at the desired tension.
 - If desired for aesthetics and tidiness:
 - Wrap any additional length of rope around the pole above the nylon cleat.
 - Secure with half-hitch knots
- 5) Perform the same tasks on the opposite corner with the other Tele-Sun Shade Pole.
- 6) An alternate installation of sun-shade material is to:
 - Attach clasps to either end of a bungee cord.
 - Clasp one end through the material grommet and the other to the eye bolt on the pole.
 - This would eliminate the need for a rope connection.

● TWO (2) ALUMINUM TELE-SUN SHADE POLES

● ONE (1) MESH STORAGE BAG

Required,
but not included

● 1/4" NYLON ROPE

● SHADE MATERIAL (SIZE DEPENDS ON BOAT AND PREFERENCE)

● TWO (2) STANDARD FLUSH-MOUNTED ROD HOLDERS MOUNTED INTO GUNNELS OR OTHER APPLICABLE AREAS OF YOUR BOAT*

***If the boat's rod holders have a closed bottom, use F31-0702BXY 10" Rod Holder from TACO (sold separately)**

Aluminum 10° Rod Holder

F31-0702BXY



Installation Instructions



Required,
but not included

- ELECTRIC DRILL WITH 5/16" DRILL BIT
- PHILLIPS HEAD SCREW DRIVER
- 1/2" ADJUSTABLE WRENCH
- HOLE SAW
- THREE (3) 18-8 STAINLESS STEEL FLAT WASHERS*
- THREE (3) 18-8 STAINLESS STEEL 1/4"-20 PHILLIPS OVAL HEAD BOLTS**
- THREE (3) 18-8 STAINLESS STEEL 1/4"-20 NYLON INSERT LOCK NUTS
- MARINE-GRADE SEALANT - (3M-5200 OR EQUIVALENT)
- MASKING TAPE
- PEN OR PENCIL
- RASP FILE

* Lock washers are recommended to prevent hardware loosening from excess vibration on boat.

** Length of bolts needed for mounting is determined by the thickness of gunnel or mounting surface.

Aluminum 10° Rod Holder

F31-0702BXY

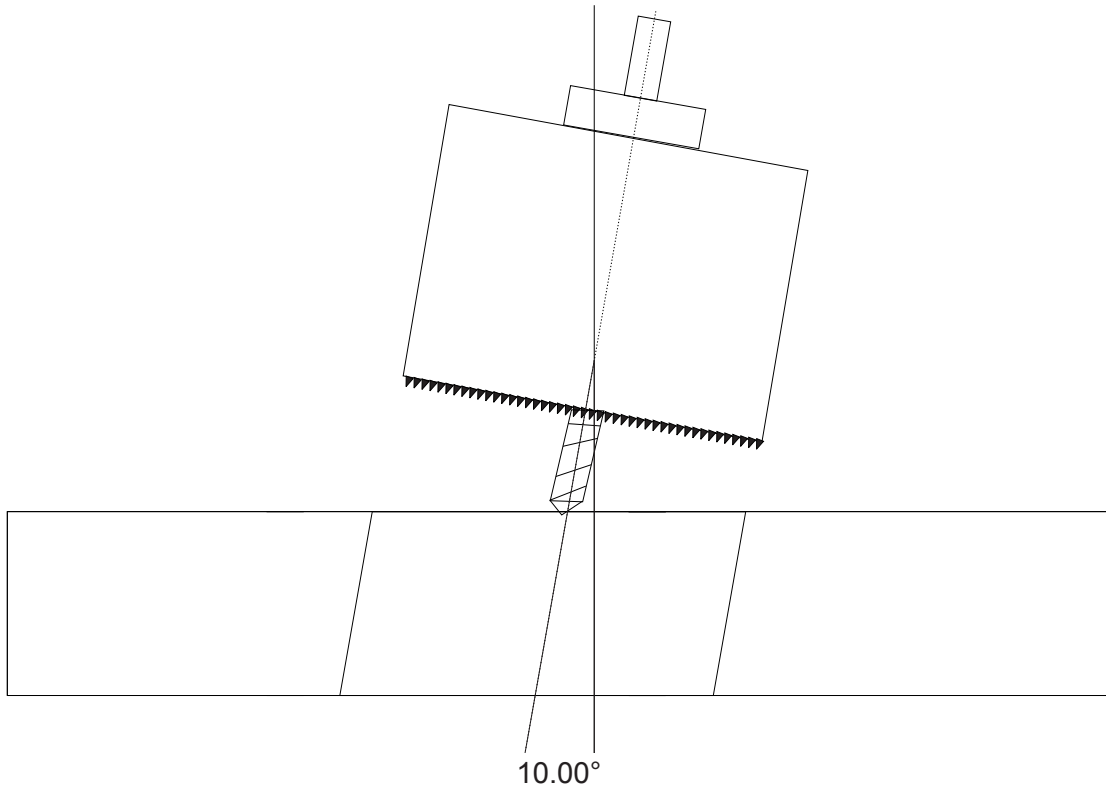
Installation Instructions

- 1) The lower base tube is at a 10° angle.
 - If mounting the holder in the stern, the base tube should be inserted through the gunnel with the butt-end of the tube toward the bow.
 - If mounting the holder in the bow, the base tube should be inserted through the gunnel with the butt-end of the tube toward the stern.
- 2) Place a section of wide masking tape on the surface to protect the area where the 10° elliptical hole will be drilled. This will help prevent damage from drill slippage.
- 3) Measure and mark the location of where the base is to be mounted.
- 4) The elliptical hole should be cut at 10° to the gunnel or mounting surface.
- 5) Drill the area with a hole saw at a 10° angle. (See Example A)
 - Verify there are no wires or obstruction under the area being drilled.
- 6) After the 10° elliptical hole is drilled, enlarge the hole with a rasp file, as necessary, to allow for a good fit.
- 7) Once fit is verified;
 - Align the base in the desired direction,
 - Place the base flat on the mounting surface,
 - Mark each bolt hole with a pencil,
 - Remove the rod holder, and
 - Drill the bolt holes.
- 8) Remove the masking tape, and clean the surface.
- 9) Install marine-grade sealant (3M-5200 or equivalent) between the mounting surface and the base.
- 10) Install and tighten bolts, washers and nuts, as in Example B.

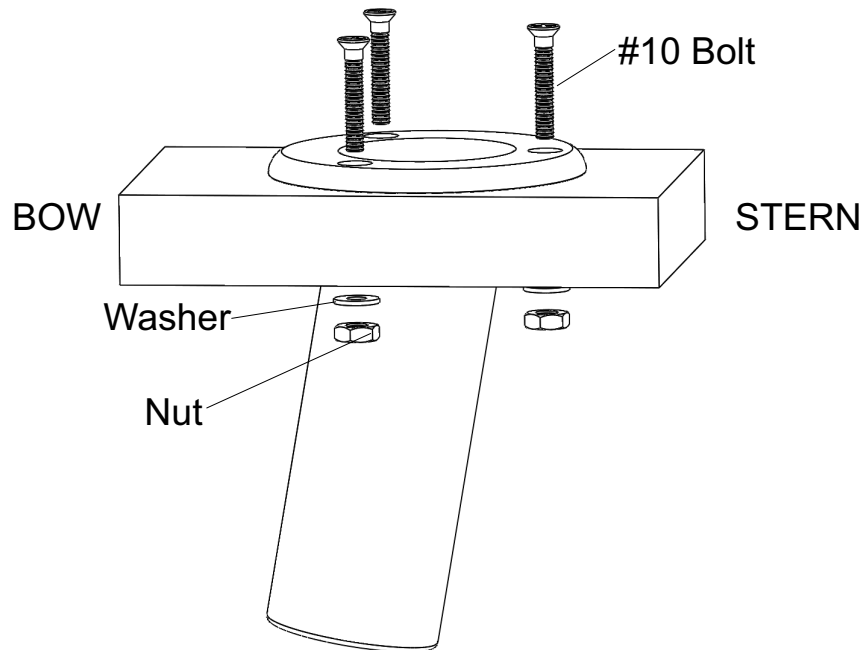
TACO[®]
Handy Tips

- Use only high-quality stainless steel hardware and fasteners.
- TACO recommends through-bolting, if possible, and the use of a backing plate (not included) on gunnels that are 3/4" or less for mounting surface reinforcement

EXAMPLE A



EXAMPLE B



HOW TO CLEAN

With fresh water and marine-grade boat soap that dissolves salt deposits, spray or apply on the fully extended poles directly after each use. Then rinse off with fresh water and allow to dry before storing the poles. Salt solvent solutions such as Salt Terminator, Salt Away and Salt Off are also recommended, as they also leave a protective PTFE (Teflon) coating to help repel future salt and dirt grime from building up again.

Safe Cleaners

Mild dish washing liquid, specialty marine cleaners:

Sea Safe Boat Wash, Boat Wash Concentrate and Super Suds.

Safe marine lubricants:

CRC Corrosion Inhibitor, Corrosion Block and Get Some Extreme.

Harmful Cleaners

Bleach (Clorox, etc.) and mild abrasive cleaners:

Ajax™, Comet™, Soft Scrub, Rubbing Compounds, etc.

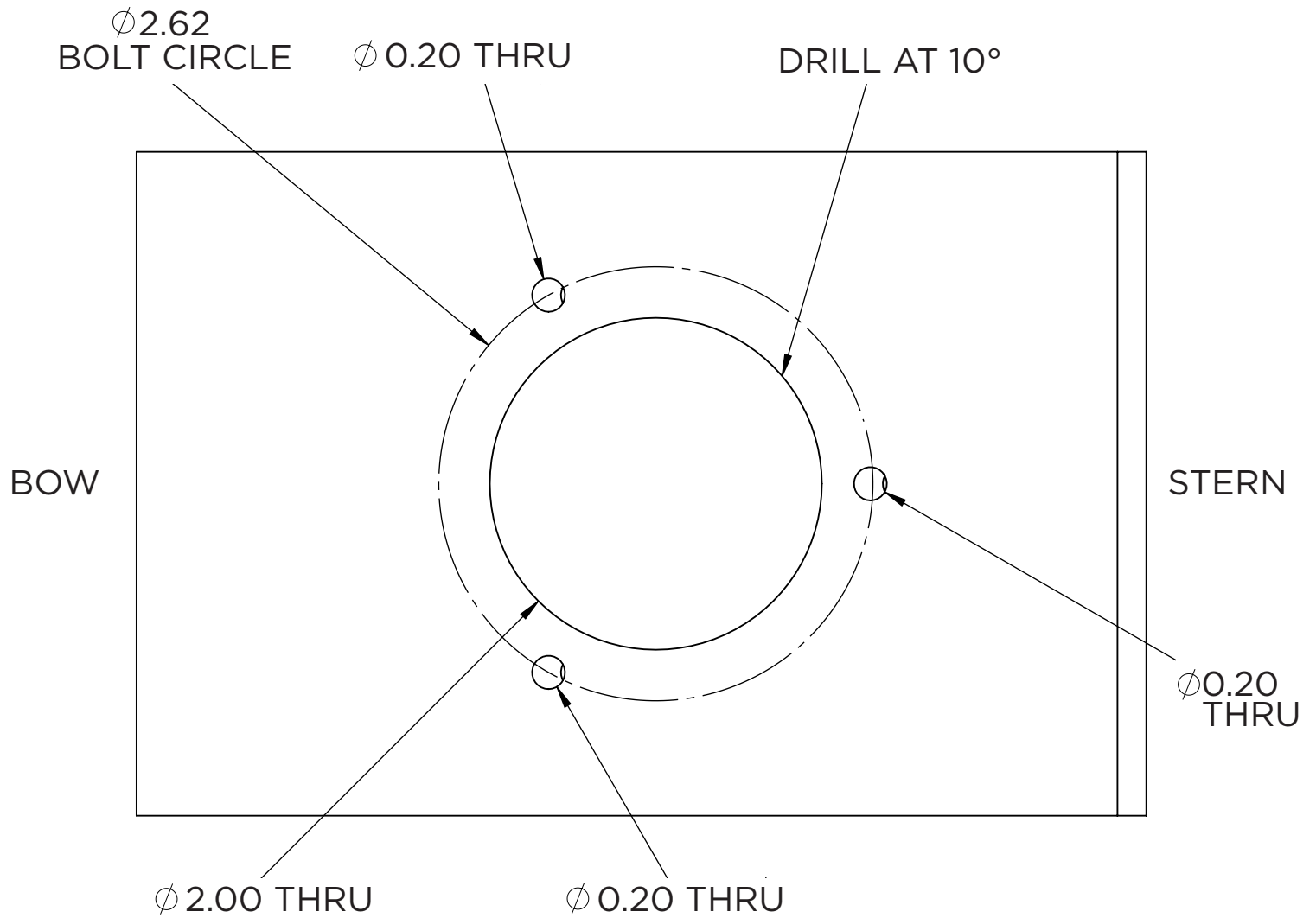
Strong cleaners:

409™, Engine Degreasers, etc.

Acids of any type:

Such as Muriatic, naval jelly or aluminum acid.

DRILL TEMPLATE





INSTRUCT-T10-7001VEL